

# HORIBA

Explore the future

Measure and Display up to **11 Items** Simultaneously

**Rugged Outdoor Design**

Multi-parameter Water Quality Meters

## U-50 Series

Multi-parameter Water Quality Meters



Explore the future

**HORIBA**

# Measure and Display 11 Parameters Simultaneously with Newly Designed Control Unit and Sensor Technology.

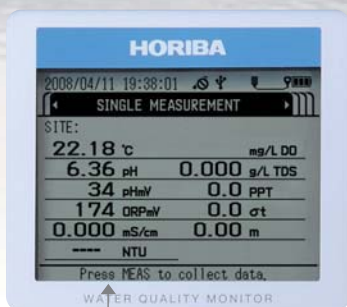
Intuitive software assures ease of use and operation efficiency.

Experience the durability and performance of an instrument that exceeds your expectations in the field testing of ground water and surface water applications.

Measure and Display up to **11 Items** Simultaneously

## Control Unit Features:

- Easy to read LCD Display
- One-hand operation
- On-screen icon displays battery power and GPS, USB and probe unit connectivity
- Quick-connect connector (cable to control unit)
- Shock resistant cover
- Backlight display



Operating instructions

Rugged Outdoor Design

## Sensor Probe Unit Features:

- Ultra-sensitive Turbidity Sensor
- Minimum dissolved oxygen sensor maintenance with screw-on type membrane cap
- Chemical resistant materials of construction
- Optional ToupH pH electrode\* that is difficult to break
- Field replaceable sensors



\*Prevents damage during maintenance.

## Design and Performance that Makes Measurement Easy in a Variety of Applications



### ● Measurement at a Drainage Ditch or Wharf

Instantaneously monitor, collect and store data while moving the submersed sensor probe unit.



### ● Measurement in Marshes

The control unit's waterproof design allows the user to work without concern of splashing or accidentally dropping the control unit in the water. The backlight display allows the user to take measurements in the dark.



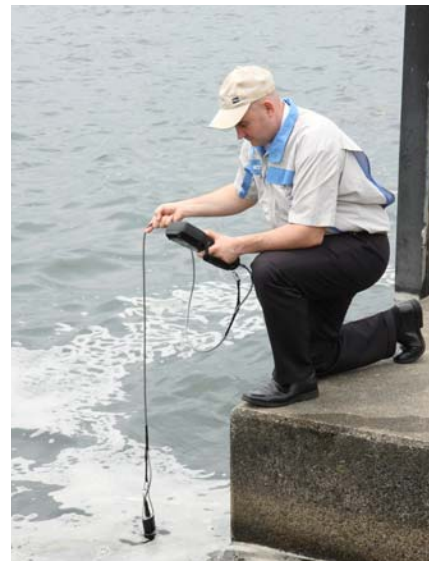
### ● Measurements in Surface Water

The long 30 meter cable option allows the user to deploy the sensor probe unit and collect measurement data at varying depths. The GPS models facilitate environmental surveys of oceans, lakes and rivers.



### ● Measuring Ground Water from an Intake

With the sensor probe lowered and submersed at an intake, 10,000 data sets can be stored in the control unit and transferred to a PC later.

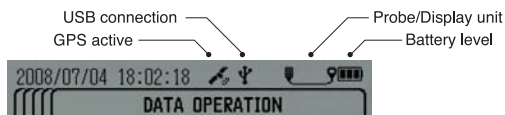


# Exceptional Performance and Optimal Design for field ap

## Control Unit >>>

### Easy to read LCD Display and Easy Operation

- All 11 parameters measurement data is listed on screen.
- Text size can be changed to large font.
- Small control unit design for operation with one hand.
- Icon display information.



- Operation instructions on-screen.
- Variable display contrast compensates for extreme ambient lighting conditions.

### Control Unit Design for Field Operations

- Patented auto-calibration feature provides hassle free calibration of pH, dissolved oxygen, conductivity, turbidity and depth.
- Shock resistant cover designed for rough treatment in the field and is easily cleaned.
- Cable can be easily connected and disconnected with quick-connect fitting.



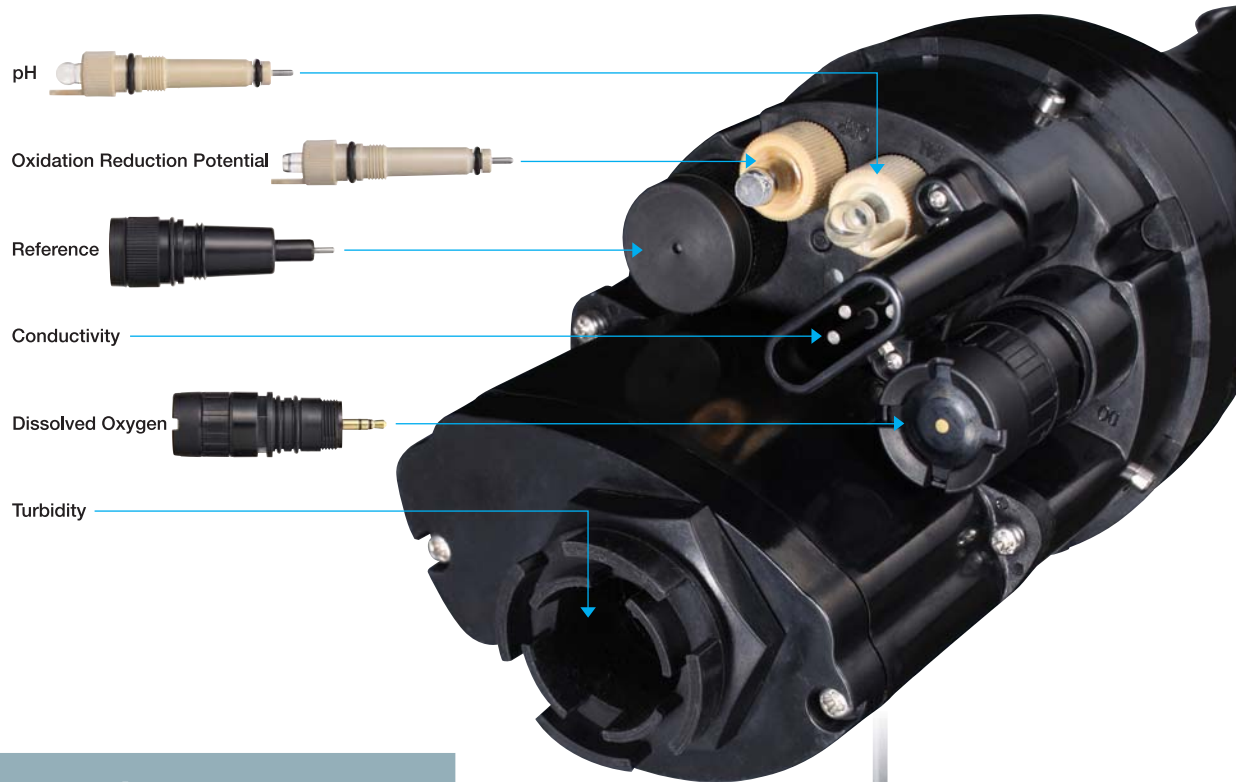
### Data Management

- Auto hold function freezes average data values on the screen to offer more time to verify or transcribe data.
- Diagnostic functions notify the user of errors.
- Integral USB connection for data transfer to a PC. USB cable is sold separately and includes software.
- Selectable measurement units allow the operator to report data without the need to convert data to desired units of measure.



### ■ GPS Compatible (U-52G/53G)

The system can be used in conjunction with the Global Positioning System (GPS) to record latitude, longitude, and other location data for individual measurements. This is particularly useful for environmental surveys.



## Sensor Probe Unit >>>

### Multiple Sensors Housed in Each Probe

- Multiple sensors allow for the measurement of 11 parameters simultaneously. (pH, pH (mv), ORP, DO, COND, Salinity, TDS, Seawater Specific Gravity, Temperature, Turbidity, Water depth)
- Ultra-sensitive Turbidity Sensors (Models U-52, U-53). Precision has been improved over conventional instruments. The Model U-53 high precision field replaceable turbidity sensor with wiper has a resolution of 0.01 NTU.
- Improved stability of the dissolved oxygen sensor has been achieved with a new 3 electrode design for fast response and polarographic sensor for ease of maintenance.
- pH and ORP electrodes can be replaced individually to reduce replacement costs.

#### ■ U-5X series specification comparison list

	U-51	U-52	U-52G	U-53	U-53G
pH	●	●	●	●	●
ORP (Oxidation Reduction Potential)	●	●	●	●	●
Dissolved Oxygen	●	●	●	●	●
Conductivity	●	●	●	●	●
Salinity	●	●	●	●	●
TDS (Total Dissolved Solids)	●	●	●	●	●
Seawater Specific Gravity	●	●	●	●	●
Temperature	●	●	●	●	●
Turbidity (LED)	—	●	●	—	—
Turbidity (Tangsten lamp)	—	—	—	●	●
Water depth	—	—	●	●	●
GPS	—	—	●	—	●



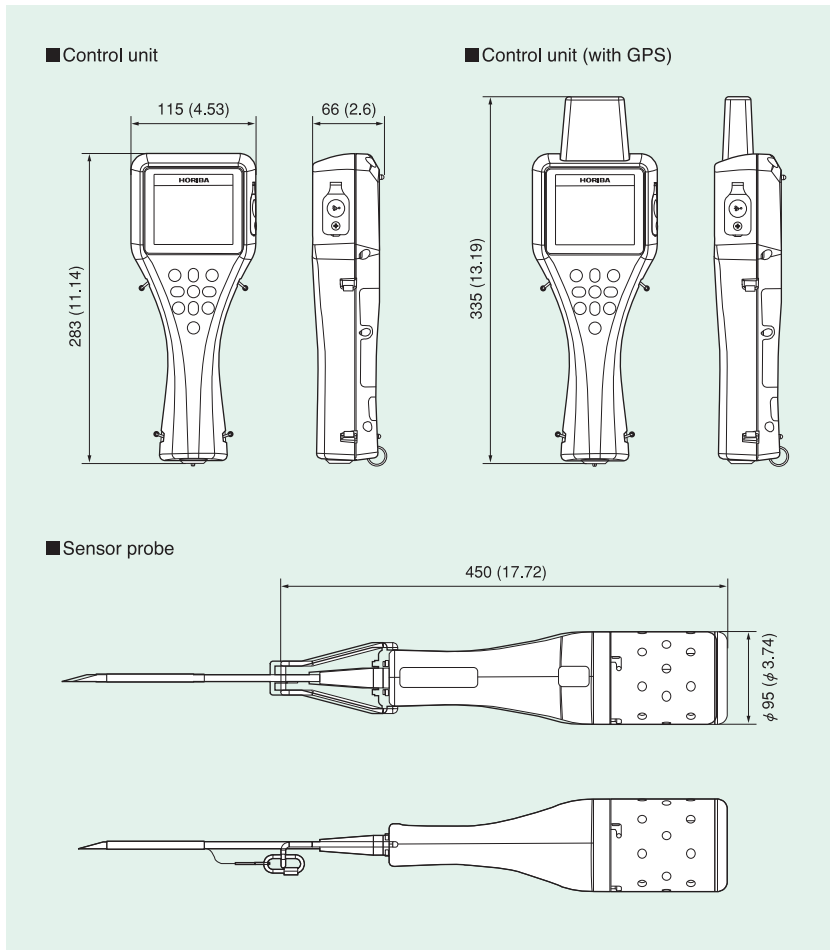
# U-50 Series Specifications



		U-51	U-52	U-52G	U-53	U-53G	
		Simultaneous display of 10 parameters max.	Simultaneous display of 11 parameters max.(space is missing)				
Sensor Probe	Measurement temperature					-5 to 55°C	
	Maximum sensor diameter					Approx. 96 mm	
	Probe length					Approx. 340 mm	
	Cable length					Standard: 2 m, option: 10, 30 m	
	Mass					Approx. 1,800 g (Approx. 3.97 lbs)	
	Automatic calibration (uses pH4)	●		●		●	●
	Turbidity wiper	—	—		●		●
	Measurement depth					Max. 30 m	
	Liquid contact part material (liquid end material)					PPS, glass, SUS316L, SUS304, FKM, PEEK,Q, titanium, FEP membrane, POM	
	Water resistance					JIS protection level 8	
Control Unit	Outer dimensions					115 (W) x 66 (D) x 283 (H) mm	
	Mass					Approx. 800 g (Approx. 1.76 lbs)	
	LCD					320 x 240 liquid crystal display with backlight (black and white)	
	Data memory					10,000	
	Communication					USB	
	Battery					C batteries x 4	
	Water resistance					JIS protection level 7 (when sensor cable is fitted)	
	Battery Life	Approx. 70 hours (without backlight)			Approx. 500 measurements		
	Storage temperature					-10 to 60°C	
	Ambient temperature					-5 to 45°C	
pH ●Two-point calibration ●Automatic temperature	Measurement principle					Glass electrode method	
	Range					pH0 to 14	
	Resolution					0.01pH	
	Repeatability					±0.05pH	
	Accuracy					±0.1pH	
Oxidation Reduction Potential (ORP)	Measurement principle					Platinum electrode method	
	Range					-2000 mV to +2000 mV	
	Resolution					1 mV	
	Repeatability					±5 mV	
	Accuracy					±15 mV	
Dissolved Oxygen (DO) ●Salinity conversion (0 to 70 PPT/automatic) ●Automatic temperature compensation	Measurement principle					Polarographic method	
	Range					0 to 50.0 mg/L	
	Resolution					0.01 mg/L	
	Repeatability					±0.1 mg/L	
	Accuracy	0 to 20 mg/L: ±0.2 mg/L		20 to 50 mg/L: ±0.5 mg/L			
Conductivity (COND) ●Auto range ●Automatic temperature conversion (25°C)	Measurement principle					4 AC electrode method	
	Range					0 to 10 S/m (0 to 100 mS/cm)	
	Resolution	0.000 to 0.999 mS/cm: 0.001	1.00 to 9.99 mS/cm: 0.01	10.0 to 99.9 mS/cm: 0.1			
	Repeatability	0.0 to 99.9 mS/m: 0.1				0.100 to 0.999 S/m: 0.001 1.00 to 9.99 S/m : 0.01	
	Accuracy					±0.05% F.S.	
Salinity	Measurement principle					Conductivity conversion	
	Range					0 to 70 PPT (permillage)	
	Resolution					0.1 PPT	
	Repeatability					±1 PPT	
	Accuracy					±3 PPT	
Total Dissolved Solid (TDS) ●Conversion factor setting	Measurement principle					Conductivity conversion	
	Range					0 to 100 g/L	
	Resolution					0.1% F.S.	
	Repeatability					±2 g/L	
	Accuracy					±5 g/L	
Seawater specific gravity ●Display $\sigma_t$ , $\sigma_0$ , $\sigma_{15}$	Measurement principle					Conductivity conversion	
	Range					0 to 50 $\sigma_t$	
	Resolution					0.1 $\sigma_t$	
	Repeatability					±2 $\sigma_t$	
	Accuracy					±5 $\sigma_t$	
Temperature	Measurement principle					Thermistor method	
	Range					-5 to 55°C	
	Resolution					0.01°C	
	Repeatability					*±0.10°C (at calibration point)	
	Accuracy					JIS class B platinum thermometer sensor (±0.3+0.005   t  )	
Turbidity (TURB)	Measurement principle			LED light source and 30° scattering method		Tungsten lamp source and 90° scattering method	
	Range			0 to 800 NTU		0 to 1000 NTU	
	Resolution			0.1 NTU		0.01 NTU	
	Repeatability	—		*±5% (Reading) or ± 0.5 NTU whichever is greater		±3% (Reading) or ±0.1 NTU whichever is greater	
	Accuracy			±5% (Reading) or ±1 NTU whichever is greater		0 to 10 NTU: ±0.5 NTU 10 to 1000 NTU: 3% (Reading) or ±1 NTU whichever is greater	
Water depth	Measurement principle			Pressure method			
	Range	—		0 to 30 m			
	Resolution	—		0.5 m			
	Repeatability			±1% F.S.			
	Accuracy			±0.3 m			
GPS	12 channel parallel	—	—	●	—	●	

**Note:**  
 \* Battery life based on continuous operation using alkaline C dry batteries when the monitor temperature is over 20°C and the backlight OFF.  
 \* Accuracy is measured by calibrating 4 points for turbidity and electrical conductivity and 2 points for all other measurements against standard solution.  
 \* Repeatability is measured by the ability to reproduce the results against the standard solution (at 25°C normal pressure condition).

■ Dimensions unit: mm (in)



■ Option

Item	Model	Code
Carrying case 	U-5030	3200174772
Flow chamber 	—	3200156570
Probe guard	—	3200167002
Cable (with data-collection software)	—	3200174823

■ U-50 Series

Cable length	Model	Code	
U-51	2 m	U-51 (2 m)	3200164509
	10 m	U-51 (10 m)	3200164510
U-52	2 m	U-52 (2 m)	3200164501
	10 m	U-52 (10 m)	3200164502
U-52G	30 m	U-52 (30 m)	3200164503
	2 m	U-52G (2 m)	3200156563
U-52G	10 m	U-52G (10 m)	3200164499
	30 m	U-52G (30 m)	3200164500
U-53	2 m	U-53 (2 m)	3200164506
	10 m	U-53 (10 m)	3200164507
U-53G	30 m	U-53 (30 m)	3200164508
	2 m	U-53G (2 m)	3200158178
U-53G	10 m	U-53G (10 m)	3200164504
	30 m	U-53G (30 m)	3200164505

■ Standard Accessories

Item	Quantity
pH4 standard solution (500mL)	1
pH reference internal solution (250 mL)	1
DO sensor internal solution set ●Internal solution (50mL) ●Sandpaper (#8000, #600) ●Syringe	1
DO Membrane space parts set	1
Spanner for DO sensor	1
Cleaning brush	1
Calibration cup	1
Back pack	1
Strap	1
Alkaline batteries LR14	4
Silicon grease	1
Instruction manual	1

■ Consumables

Item	Model	Code
pH sensor	7112C	3014031013
pH sensor Tough	7113	3200170923
ORP sensor	7313	3200170920
DO sensor	7543	3200170924
Reference sensor	7210	3200043582
Reference tip	—	3200169292
Turbidity sensor U-52/52G	7800	3200172803
Turbidity sensor U-53/53G	7801	3200172800
DO membrane cap	—	3200170194
DO Inner fluid 50mL	306	3200170938

■ Standard solution

Item	Model	Code
Standard solution	pH4 (for automatic calibration), 500 mL	100-4 3200043638 (9003-0016-00)
	pH4 (for automatic calibration), 4 L	140-4 3200174430
	pH7 500 mL	100-7 3200043637 (9003-0017-00)
	pH9 500 mL	100-9 3200043636 (9003-0018-00)
	ORP standard solution powder For 250 mL×10	160-51 3200043618 (9003-0031-00)
	ORP standard solution powder For 250 mL×10	160-22 3200043617 (9003-0030-00)
Internal fluid	Internal fluid for pH reference 250 mL	330 3200043641 (9037-0052-00)

**User Registration**

Upon online registration, you will have an advantage to download data collection software, technical reports, also sending technical inquires and more.

Visit <http://www.horiba-water.co.jp> for online registration.